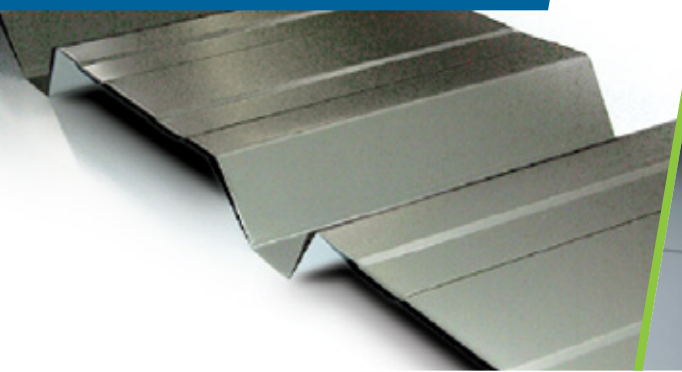


T-1000B



Technical Sheet

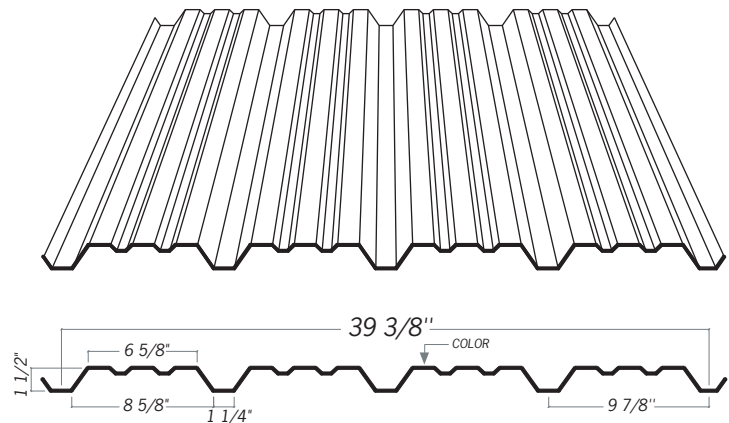
T-1000B profile in pure white color

Nominal gauge (in)	"T" design (in)	Overall depth (in)	Weight (lb/ft ²)	End support reaction (lbs)	Interior support reaction (lbs)	SM+	SM-	Moment of inertia (in ⁴)
						(in ³)	(in ³)	
Cal. 28	0.015	1.25	0.73	151	0.0963	0.0676	0.0417	0.0559
Cal. 26	0.018	1.26	0.88	207	0.1264	0.0824	0.0541	0.0681
Cal. 24	0.024	1.26	1.17	342	0.1559	0.1101	0.0828	0.0951
Cal. 22	0.030	1.26	1.46	504	0.1848	0.1373	0.1158	0.0951

Span	Steel Gauge							
	28		26		24		22	
	F	D	F	D	F	D	F	D
3' 0"	93	136	138	120	184	230	258	230
4' 0"	52	57	103	68	104	97	145	97
5' 0"	33	29	66	43	66	50	93	50
6' 0"	23	17	46	30	46	29	64	29
7' 0"	17	11	34	22	34	18	47	18
8' 0"	13	7	26	17	26	12	36	12
9' 0"	10	5	20	13	20	9	29	9

3' 0"	57	323	86	393	162	549	261	549
4' 0"	43	136	65	166	121	231	167	231
5' 0"	34	70	52	85	87	118	108	118
6' 0"	29	40	43	49	60	69	75	69
7' 0"	25	25	33	31	45	43	56	43
8' 0"	21	17	26	21	34	29	43	29
9' 0"	17	12	20	15	27	20	34	20

3' 0"	65	256	98	312	184	435	296	435
4' 0"	49	108	73	131	138	183	207	183
5' 0"	39	55	59	67	104	94	134	94
6' 0"	32	32	47	39	72	54	94	54
7' 0"	27	20	35	25	53	34	69	34
8' 0"	20	13	26	16	40	23	53	23
9' 0"	16	9	21	12	32	16	42	16



The indicated loads should be compared to loads according to the ARNOR S136-1 standard.

These tables display properties for a profile made with steel cladding that corresponds to the ASTM A653M SS Grade 230 standard.

The loads shown in column F indicate the maximum weighted load applicable on the deck for a given span and span condition.

Loads in parentheses are limited by the web crippling for the support length indicated in the properties.

The loads shown in column D indicate the load that produces the indicated deflection.

WARNING:

The cladding should not be used on the roof when the values in column F are less than 3.5 kPa or when the values in column D are less than 1.9 kPa.



450 445-1411

1 877 445-1411

www.rmlussier.com